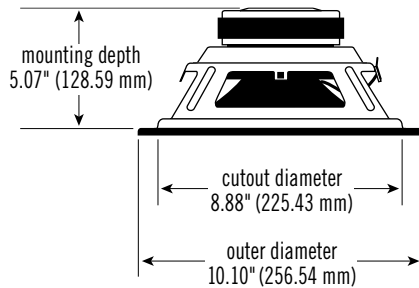


SPECIFICATIONS

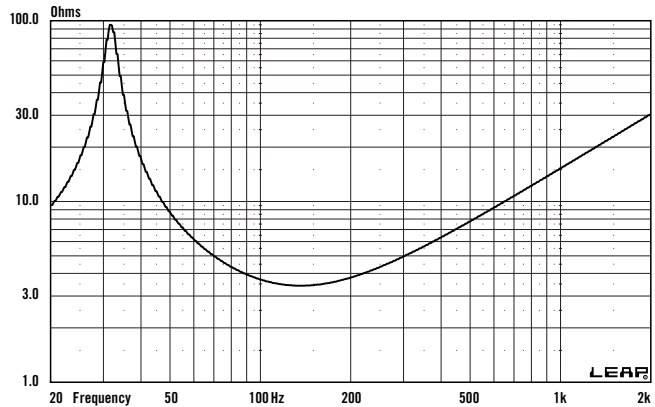
DIAMETER:	10" (254.0 mm)
SENSITIVITY (2.83 V @ 1 m):	93 dB
POWER HANDLING:	250 W _{RMS}
FREQUENCY RESPONSE:	25 ~ 250 Hz
NOMINAL IMPEDANCE:	4 OHMS
VOICE-COIL DIAMETER:	2.0" (50.0 mm)
DIMENSIONS:	



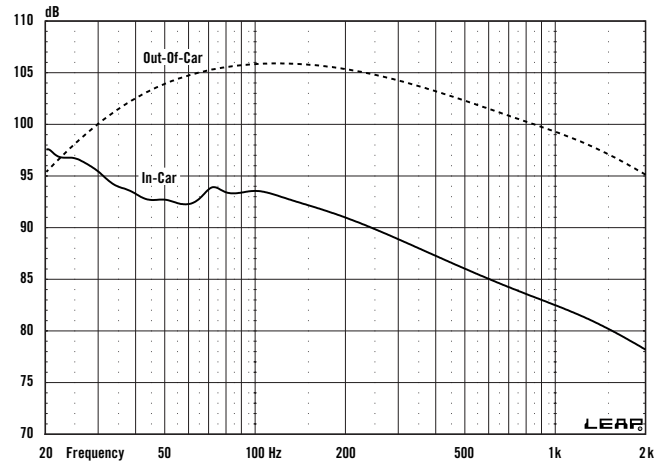
THIELE-SMALL PARAMETERS

VOICE COIL DC RESISTANCE:	R_{EVC} (OHMS)	3.35
VOICE COIL INDUCTANCE @ 1 kHz:	L_{EVC} (MH)	2.42
DRIVER RADIATING AREA:	S_D (IN ²)	50.93
	S_D (CM ²)	330.00
MOTOR FORCE FACTOR:	BL (TM)	11.02
COMPLIANCE VOLUME:	V_{AS} (FT ³)	2.12
	V_{AS} (LITERS)	50.10
SUSPENSION COMPLIANCE:	C_{MS} (μM/N)	324.00
MOVING MASS, AIR LOAD:	M_{MS} (GRAMS)	76.78
MOVING MASS, DIAPHRAGM:	M_{MD} (GRAMS)	73.33
FREE-AIR RESONANCE:	F_S (Hz)	31.91
MECHANICAL Q:	Q_{MS}	11.69
ELECTRICAL Q:	Q_{ES}	0.43
TOTAL Q:	Q_{TS}	0.41
MAGNETIC-GAP HEIGHT:	H_{AG} (IN)	0.31
	H_{AG} (MM)	8.00
VOICE-COIL HEIGHT:	H_{VC} (IN)	0.90
	H_{VC} (MM)	22.86
MAXIMUM EXCURSION:	X_{MAX} (IN)	0.29
	X_{MAX} (MM)	7.43

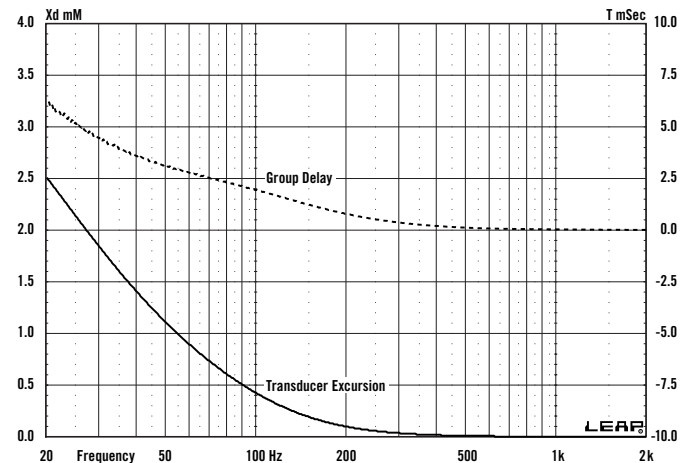
IMPEDANCE CURVE



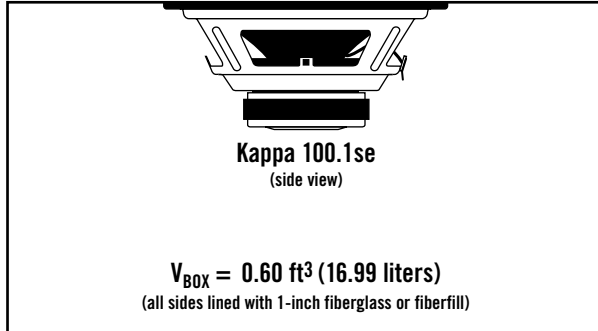
INFINITE Baffle FREQUENCY RESPONSE @ 2.83 V



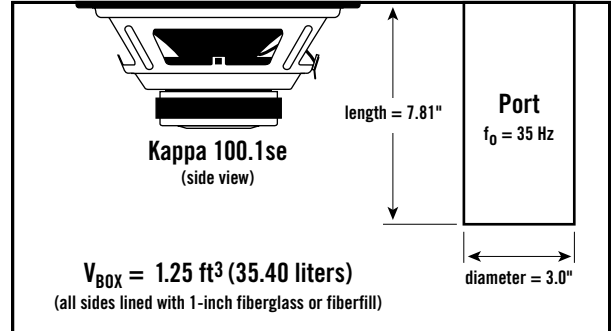
INFINITE Baffle EXCURSION/GROUP DELAY @ 100 W



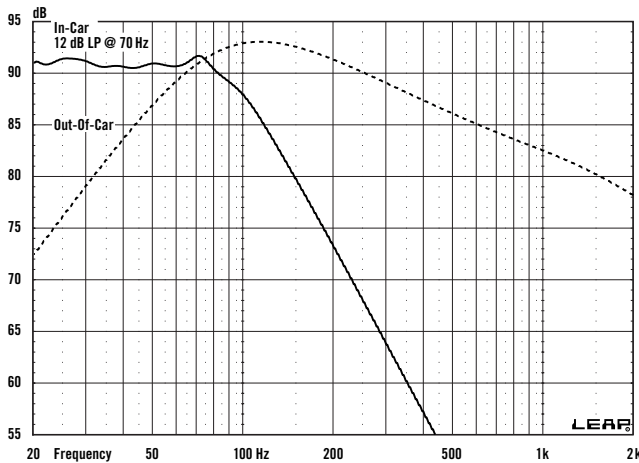
SEALED BOX VOLUME



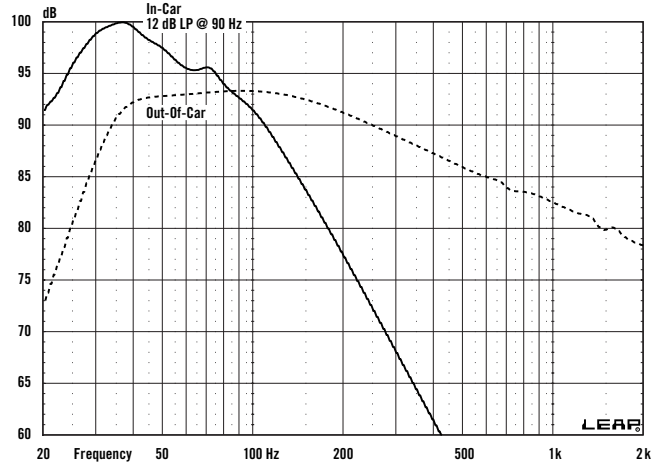
VENTED BOX VOLUME



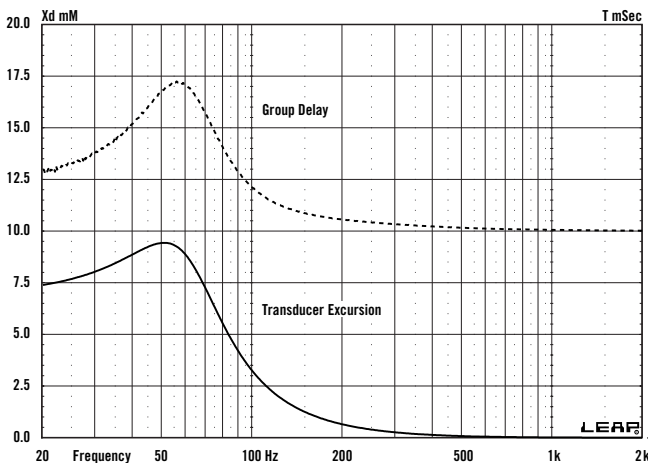
SEALED FREQUENCY RESPONSE @ 2.83 V



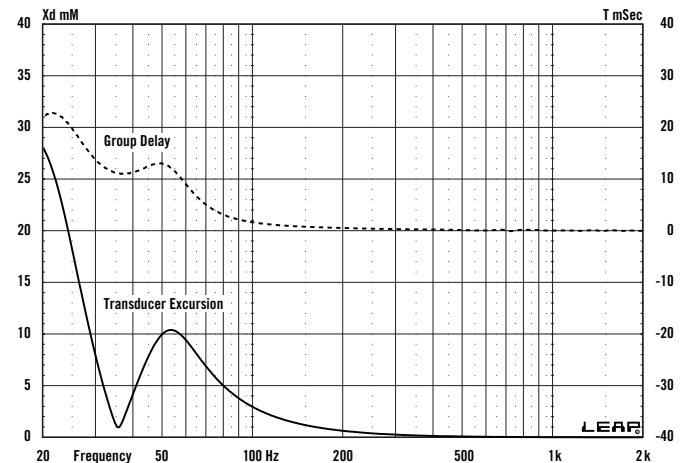
VENTED FREQUENCY RESPONSE @ 2.83 V



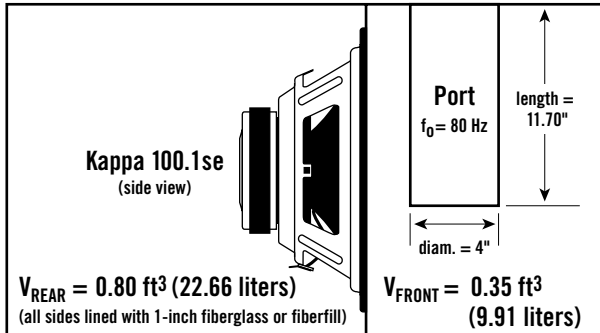
SEALED EXCURSION/GROUP DELAY @ 200 W



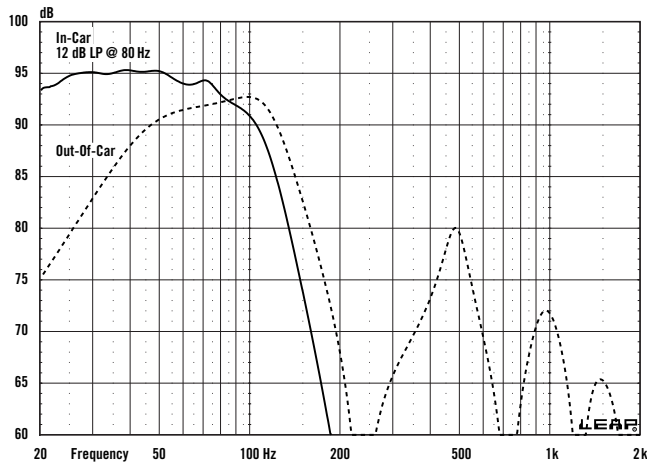
VENTED EXCURSION/GROUP DELAY @ 250 W



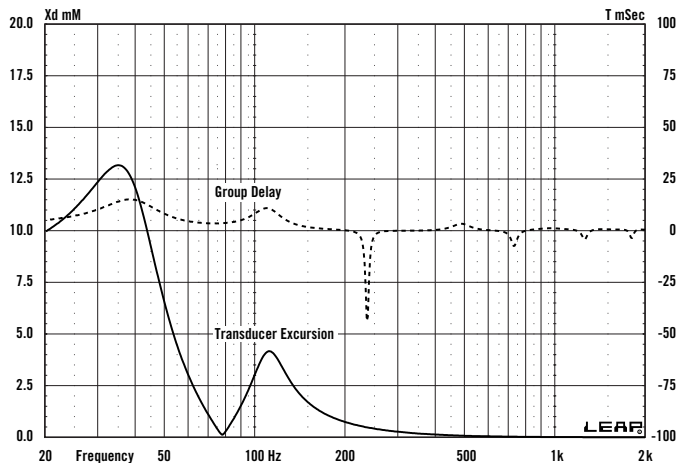
SEALED BANDPASS BOX VOLUME



SEALED BANDPASS FREQUENCY RESPONSE @ 2.83 V



SEALED BANDPASS EXCURSION/GROUP DELAY @ 175 W



NOTES